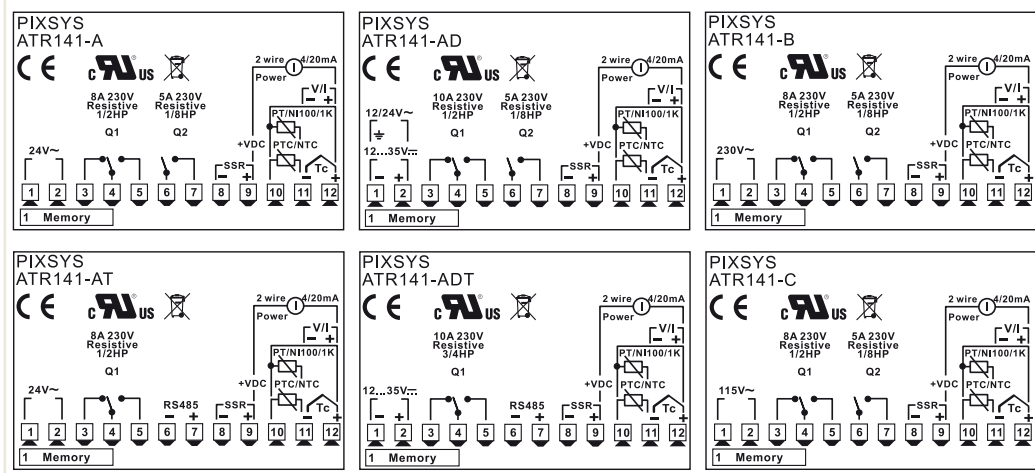


WIRING PLAN



ATR141

Controller double setpoint

Main features

Box	32x74 (front panel) x 53 mm
Power supply	12..24 Vac/Vdc or 24Vac/115Vac/230Vac $\pm 15\%$ 50/60 Hz
Consumption	2 W
Display	4 digits, 0.4" red + 3 signaling leds
Operating conditions	Temperature 0-45 °C, humidity 35..95 RH%
Material	Box: Noryl UL94V1 self-extinguishing; front panel: PC ABS UL94V0 self-extinguishing
Weight	Approx. 100 g
Sealing	Front panel IP65 (with gasket) , Box IP30, Terminal blocks IP20
Quick set-up options	Memory Card with / without battery, software LABSOFTVIEW

Inputs

1 configurable	Selection TC, K, J, S, R, PT100, PT500, PT1000, Ni100, PTC1K, NTC10K (B 3435K), 0/4..20 mA, 0..10 V, Potentiometer 1..6/160 Kohm
Sampling frequency	66ms (frequency 15 Hz)

Outputs

2 Relays	1 Relay 10A/8A - 250 Vac resistive charge + 1 Relay 5A - 250 Vac resistive charge
1 SSR	8 Vdc - 20 mA (codes A/B/C) - 15 Vdc - 30 mA (code AD)
Serial communication	RS485 Modbus RTU - Slave

Software features

Control algorithms	ON - OFF with hysteresis, P., P.I., P.I.D., P.D. time proportioned, Dead band
Tuning	manual or automatic
Operating modes	Visualizer, Single setpoint, Double setpoint (selection by parameter)
Data protection	Lock of control / alarm setpoint - Access to parameters by password
Alarm modes	Absolute / Threshold, band, High / Low deviation. Alarm with optional manual reset
Double P.I.D.	Heating / Cooling P.I.D.
Open / Close logic	Open / Close logic for motorized valves

Ordering codes

ATR141-AD	1 Analogue Input + 2 Relays 8 A + 1 SSR 12Vdc / Supp. 12..24Vac/Vdc
ATR141-A	1 Analogue Input + 2 Relays 8 A + 1 SSR 12Vdc / Supp. 24Vac
ATR141-B	1 Analogue Input + 2 Relays 8 A + 1 SSR 12Vdc / Supp. 230Vac
ATR141-C	1 Analogue Input + 2 Relays 8 A + 1 SSR 12Vdc / Supp. 115Vac
ATR141-AD-T	1 Analogue Input + 1 Relay 8 A + 1 SSR 12Vdc + RS485 Modbus RTU Slave / Supp. 12..24Vac/Vdc