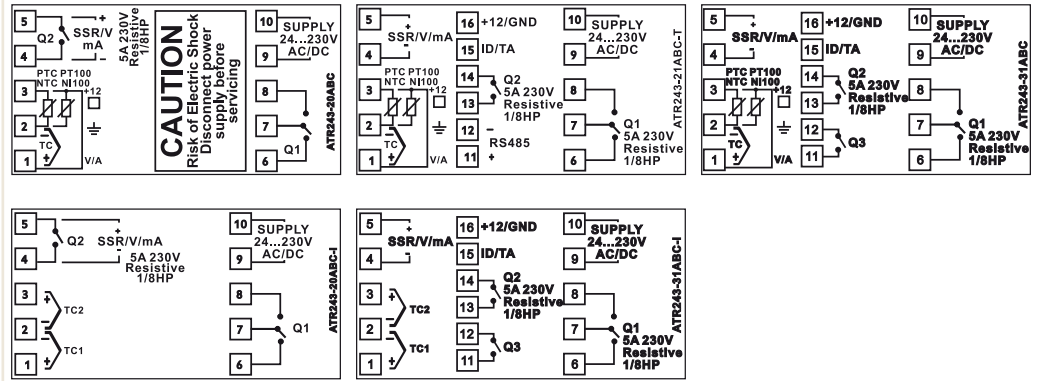


## WIRING PLAN



# ATR243

## Controller multi-setpoint



### Main features

Box	48x48 (front panel) x 125 mm
Power supply	24..230Vac/dc $\pm 15\%$ 50/60 Hz (galvanic isolation)
Consumption	5,5 VA, 4W
Display	4 digits 0,4 " green + 4 digits 0,3" red
Operating conditions	Temperature 0-45 °C, humidity 35..95 RH%
Material	Box: Noryl UL94V1 self-extinguishing, front panel: PC ABS UL94V0 self-extinguishing
Weight	Approx. 165 g (-20ABC) -185 g (-21ABC/31ABC)
Sealing	IP65 (Front panel), IP20 (Box and Terminal bloks)
Quick set-up options	Memory Card with / without battery, software LABSOFTVIEW, or EASY-UP codes

### Inputs

1 Configurable	Selection TC, K, J, S, R, PT100,PT500, PT1000, Ni100, PTC1K, NTC10K (B 3435K), 0/4..20 mA, 0..10 V,0..40mV, Potentiometer 1..6/160 Kohm, T.A (1024 points)
Sampling time	Programmable up to 4,1 ms (Frequency up to 242 Hz)
1 Digital input	1/2..4 setpoint change, Hold, Run, Tuning launch, Start/stop cycle
1 T.A. input	Selection T.A. 50 mA - 100 ms - 1024 points (codes -21/-31ABC)

### Outputs

2/3 Relays	Relay 5 A - 250 Vac resistive charge
1 SSR	12 Vdc - 30 mA max
1 Analogue	Selection 4 - 20 mA or 0 - 10 Vdc for command or retransmission PV/SPV
Serial communication	RS485 Modbus RTU - Slave (code 21ABC-T)

### Software features

Control algorithms	ON - OFF with hysteresis, P., P.I., P.I.D., P.D. time proportioned
Tuning	Manual or automatic
Data protection	Lock of control / alarm setpoint, Access to parameters by password
Alarm modes	Absolute / Threshold, Band, High / Low deviation. Alarm with optional manual reset. Loop Break Alarm function
Auto / Man function	Output percentage command also with automatic change in case of sensor failure
Double P.I.D.	Heating / Cooling P.I.D.
Programmer function	Start / Stop pre-programmed cyle with 2/3 steps
Soft-Start	Rising gradient expressed as Degrees / Hour
Open / Close logic	Open / Close logic for motorized valves

### Ordering codes

ATR243-20ABC	1 Analogue input + 2 Relays 5 A or 1 Relay 5 A + 1Ssr/V/mA
ATR243-21ABC-T	1 Analogue input + 2 Relays 5 A + 1Ssr/V/mA + RS485 + TA
ATR243-31ABC	1 Analogue input + 3 Relays 5 A + 1Ssr/V/mA + TA
ATR243-20ABC-I	2 Analogue inputs (TC) + 2 relays 5A or 1 Relay 5A +1 SSR/v/mA
ATR243-31ABC-I	2 Analogue inputs (TC) + 3 relays 5A +1 SSR/v/mA+TA