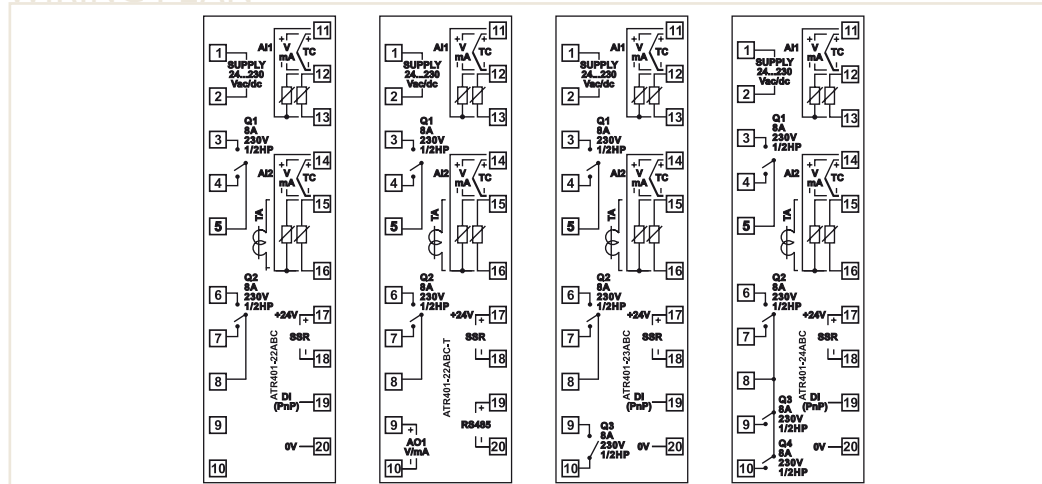


WIRING PLAN



ATR401

Controller multisetpoint / dual input



Main features

Box	48x96 (front panel) x 123 mm
Power supply	24..230Vac/dc $\pm 15\%$ 50/60 Hz (with Jumper 24 - 110..230Vac)
Consumption	5,5 VA, 4W
Display	4 digits 0,4 " green + 4 digits 0,3 " red
Operating conditions	Temperature 0-45 °C, humidity 35..95 RH%
Material	Box: Noryl UL94V1 self-extinguishing, front panel: Silicon rubber V0
Weight	Approx. 350 g
Sealing	IP65 (Front panel), IP20 (Box and Terminal bloks)
Quick set-up options	Memory Card with /without battery, software LABSOFTVIEW, EASY-UP codes

Inputs

2 Configurables	Selection TC, K, J, S, R, PT100,PT500, PT1000, Ni100, PTC1K, NTC10K (B 3435K), 0/4..20 mA, 0..10 V, Potentiometer 6/160 Kohm, T.A.
Sampling time	Programmable up to 4,1 ms (Frequency up to 242 Hz)
1 Digital input	2..4 setpoints selection, Hold, Run, Tuning launch, automatic / manual selection
1 T.A. input	Selection T.A. 50 mA - 100 ms overlapped to AI2

Outputs

2..4 Relays	Relay 8 A - 250 Vac resistive charge
1 SSR	24 Vdc - 25 mA max
1 Analogue	Selection SSR 12Vdc - 4..20 mA or 0..10 Vdc for command or retransmission PV/SPV
Serial communication	RS485 Modbus RTU - Slave

Software features

Control algorithms	ON - OFF with hysteresis, P., P.I., P.I.D., P.D. time proportioned
Tuning	Manual or automatic
Data protection	Lock of control / alarm setpoint, Access to parameters by password
Alarm modes	Absolute / Threshold, band, High / Low deviation. Alarm with optional manual reset. Loop Break Alarm function
Remote setpoint	Command setpoint corresponding to AI2 (4..20 mA / 0..10 V)
Double P.I.D.	Heating / Cooling P.I.D.
Double input mode	AI1 and AI2 inputs correlation as mean, difference or addition of process values
Soft-Start	Rising gradient expressed as Degrees / Hour
Open / Close logic	Open / Close logic for motorized valves

Ordering codes

ATR401-22ABC	2 Analogue inputs + 2 Relays 8 A + 1 SSR 12Vdc
ATR401-23ABC	2 Analogue inputs + 3 Relays 8 A + 1 SSR 12Vdc
ATR401-24ABC	2 Analogue inputs + 4 Relays 8 A + 1 SSR 12Vdc
ATR401-22ABC-T	2 Analogue inputs + 2 Relays 8 A + 1 SSR 12Vdc, 1 Output V/mA + RS485
ATR401-22ABC-D	2 Analogue inputs + 2 Relays 8 A + 1 SSR 12Vdc, 1 Output V/mA + Digital input