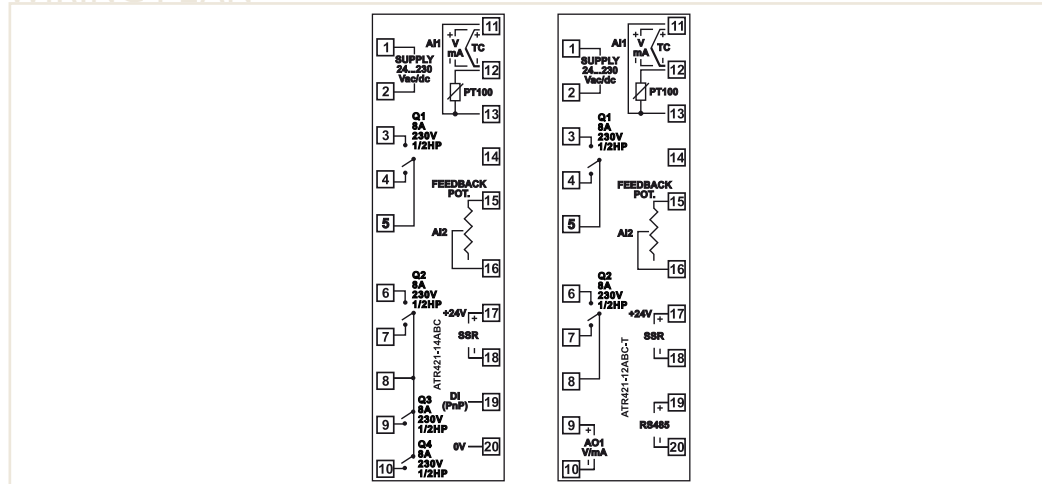


WIRING PLAN



ATR421

Process controller / Programmer 15 cycles / 45 steps

Main features

Box	48x96 (front panel) x 123 mm
Power supply	24..230Vac/dc $\pm 15\%$ 50/60 Hz (selection 24 - 110..230Vac with jumper)
Consumption	5,5 VA, 4W
Display	4 digits 0,4" green + 4 digits 0,3" red
Operating conditions	Temperature 0-45 °C, humidity 35..95 RH%
Material	Box: Noryl UL94V1 self-extinguishing; Front panel: Silicon rubber V0
Weight	Approx. 350 g
Sealing	IP65 (Front panel), IP20 (Box and Terminal bloks)
Quick set-up options	Memory Card with / without battery, software LABSOFTVIEW

Inputs

1 configurable	Selection TC, K, J, S, R, PT100,PT500, PT1000, Ni100, PTC1K, NTC10K (B 3435K), 0/4..20 mA, 0..10 V
1 digital input	1..9 cycle selection, Hold, Run, "Open door" lock (code -14ABC)
1 potentiometer input	Position signal by potentiometer for servo/motorized-valves

Outputs

2..4 Relays	Relay 8 A - 250 Vac resistive charge
1 SSR	24 Vdc - 25 mA max
1 Analogue	Selection SSR 12Vdc - 4..20 mA or 0..10 Vdc for command or retransmission PV/SPV (code -12ABC-T)
Serial communication	RS485 Modbus RTU - Slave (code -12ABC-T)

Software features

Control algorithms	ON - OFF with hysteresis, P., P.I., P.I.D., P.D. time-proportioned
Tuning	manual or automatic
Data protection	Lock of control / alarm setpoint, Access to parameters by password
Alarm modes	Absolute / Threshold, band, High / Low deviation, timed auxiliary programmable for single steps
Gas mode	Open / Close logic for motorized valves, management of burners and fan, GID selection (management of burners during falling steps)
Waiting function	Special function to compensate differences SPV / PV in case of overloaded system
Cycle recovery	Resume the cycle after unexpected power failure
Setpoint controller mode	Regulation on a fixed setpoint (function might be enabled from general menu or during a cycle in progress)
Delayed start	Cycle start delayed by decremental timer

Ordering codes

ATR421-14ABC	1 Analogue inputs + 1 digital input + 4 Relays 8 A + 1 SSR 12Vdc
ATR421-12ABC-T	1 Analogue inputs+ 2 Relays 8 A + 1 SSR 12Vdc, 1 Output V/mA + RS485