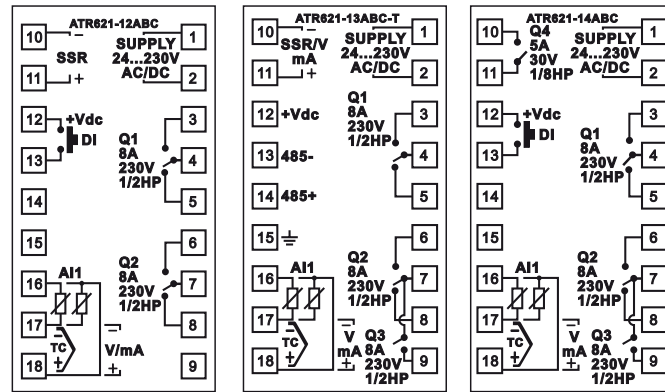


WIRING PLAN



ATR621

Process controller / Programmer 15 cycles / 45 steps

Main features

Box	72x72 (front panel) x 99 mm
Power supply	24..230Vac/dc $\pm 15\%$ 50/60 Hz
Consumption	5,5 VA
Display	Display 4 digit 0,5" green + Display 4 digit 0,3" red + 9 Leds
Operating conditions	Temperature 0-45 °C, humidity 35..95 RH%
Material	Box: Noryl UL94V1 self-extinguishing; Front panel: Silicon rubber V0
Weight	Approx. 250 g
Sealing	Front panel IP54 (with gasket), Box IP30, Terminal blocks IP20
Quick set-up options	Memory Card whit/without battery, software LABSOFTVIEW

Inputs

1 configurable	Selection TC, K, J, S, R, N, E, PT100, 0/4..20 mA, 0..10 V
1 digital input	1..5 cycle selection, Hold, Run, "open door" lock, Emergency

Outputs

Relays	2 / 3 Relays 8 A - 250 Vac resistive charges
Relays	1 Relay 5 A - 30 Vac
1 Linear	0/4..20mA or 0..10Volt
1 SSR	12 Vdc - 30 mA max
Serial communication	RS485 Modbus RTU - Master/Slave

Software features

Control Algorithms	ON - OFF with hysteresis, P, P.I., P.I.D., P.D. time proportioned
Autotune	Manual/Automatic
Data protection	Access to parameters by password
Alarm mode	Absolute/Threshold, band, High/Low deviation, timed auxiliary programmable for single steps.
PV/SPV retransmission	Analogue in Volt/mA or RS485 serial
Waiting function	Special function to compensate differences SPV / PV in case of overloaded system
Cycle recovery function	Resume the cycle in case of unexpected power failure
Setpoint controller mode	Regulation on a fixed setpoint (function might be enabled from general menu or during a cycle in progress)
Delayed start	Cycle start delayed by decremental timer

Ordering codes

ATR621-12ABC	1 Analogue input + 2 Relays 8 A + 1 SSR 12Vdc + 1 Digital input
ATR621-13ABC-T	1 Analogue input + 3 Relays 8 A + 1 Output V/mA/SSR + RS485
ATR621-14ABC	1 Analogue input + 3 Relays 8 A + 1 Relay 5A (30V) + 1 Digital input